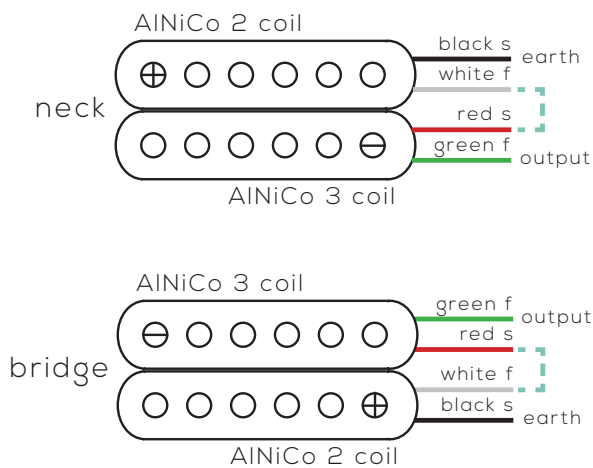
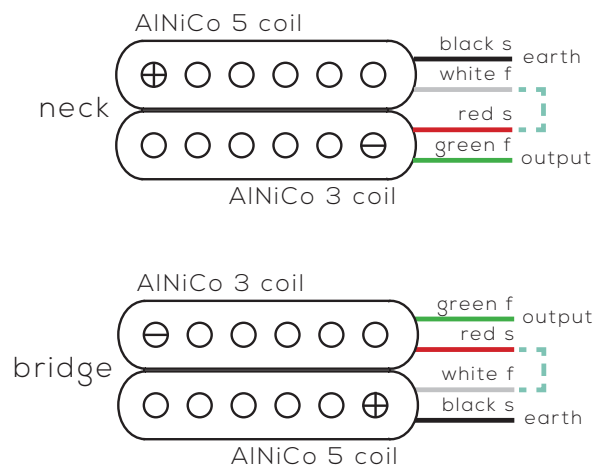


ZONA 23



ZONA 35



Please DO NOT remove the cover from the pickups, it is integral to construction. Should you have any issues with these pickups, please contact us directly.

CIRCUIT FOR DUAL COIL SWAP AND SPLIT

Allows you to switch to single coil mode and then swap between outer and inner coils. This requires a standard 6 pin DPDT (on/on) microswitch and a slightly rarer 12 pin 4PDT(on/on) microswitch.

